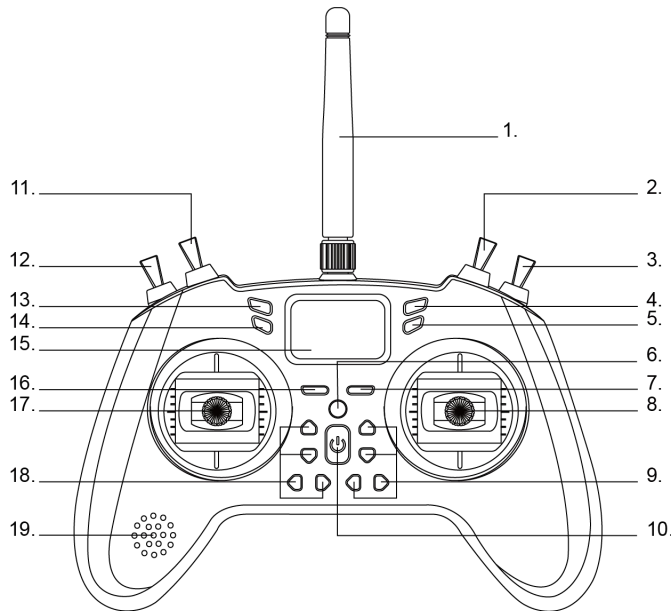


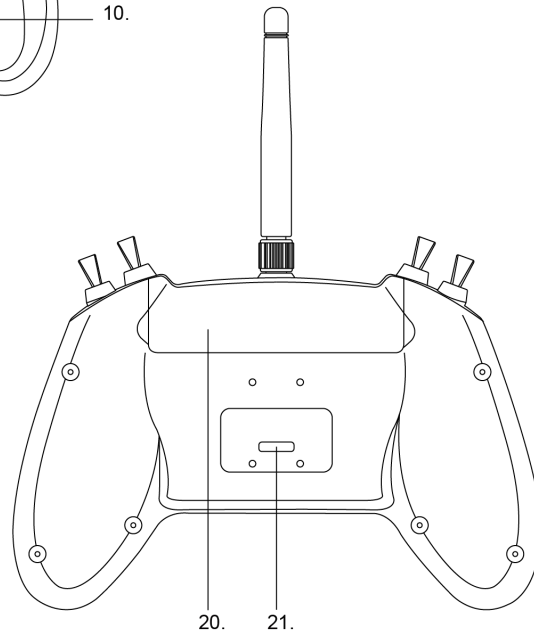
# Jumper T-LITE Quick start guide.

## Radio Overview.



- 1: Antenna
- 2: SB Position
- 3: SD Position
- 4: UP Buttons
- 5: Down Buttons
- 6: LED
- 7: MDL/LEFT Buttons
- 8: Gimbal
- 9: T1-T4 Trim Button
- 10: Power Button
- 11: SA Position
- 12: SC Position

- 13: ENT Buttons
- 14: RNT Buttons
- 15: 1.3 " LCD screen
- 16: SYS/RIGHT Buttons
- 17: Gimba
- 18: T1-T4 Trim Button
- 19: Speaker
- 20: Single 18650 battery power supply
- 21: External module

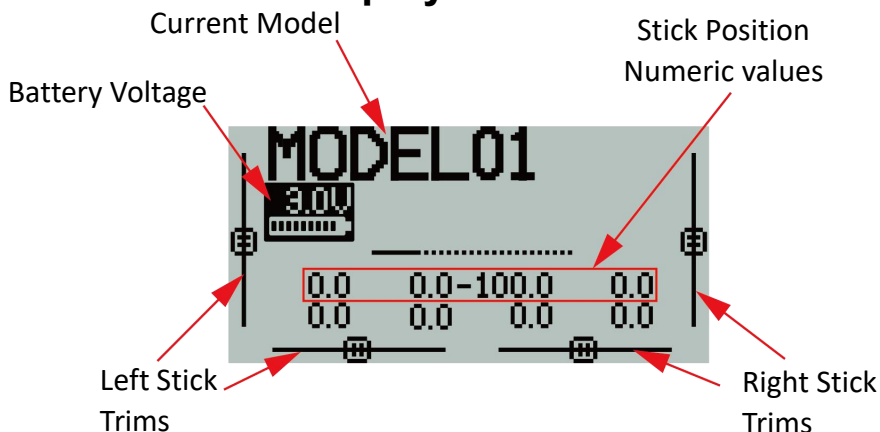


## Power Requirements.

The T-LITE can work on voltagea 3.5v to 4.2v however for ease of use a 18650 is recommended.T-Lite has internal 1x18650 battery tray. (Note: button top protected 18650 won't fit T-Lite)

# Jumper T-LITE Quick start guide.

## Main Screen Display



## Model and Protocol Selection



The T-LITE, is cable of operating under many different protocols. To view the most up to date list of compatible protocols please visit [www.jumper-rc.com](http://www.jumper-rc.com). Please note, new protocols are being added to the software all the time. Some protocols may require the upgrading of your firmware.

### Model Selection.



1. Press the Menu button and select the Model memory slot you wish to use.

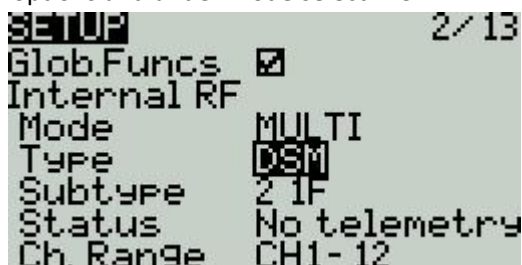
### Protocol Selection.



2. Press the Page button to enter model setup then Navigate to the EXTERNAL RF options and under Mode select MULT.

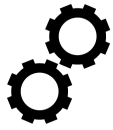


3. Move the cursor to the second part of Mode and select the Protocol you wish to use then press enter to lock in the selection.



4. Different protocols will have different Binding sequences. Please pay attention to Subtype and select the correct type for your model or receiver. Follow Model or receiver manufactures binding steps.

# Jumper T-LITE Quick start guide.



## Specifications.

### Features:

STM32F205 MCU

OpenTX firmware

Screen: 1.3" 128\*64 LCD

High quality hall sensor gimbals

Internal Multi-protocol module

Full speed TBS Crossfire NANO supported

Built in USB-C charging

Voice and Vibration function

### Spec:

Size: 166\*106\*56mm

Weight: 260g (with 18650)

Voltage: DC3.5-4.2V

Battery: 1x18650 (Battery not included)

Channel: 16ch

External Micro SD Card:reserved SD card slot (SD card not included)



## Support.

### Warranty and Repairs.

Please retain your proof of purchase and contact the retailer you purchased your T-LITE form should you experience any problems with your radios hardware.

### Firmware updates and openTX information.

For latest news and firmware updates from the Open-Source software development team please visit the openTX website at <https://www.open-tx.org>.

### Quick Sart User Manual.

A digital copy of this quick start guide is available from [www.jumper-rc.com](http://www.jumper-rc.com).

# Jumper T-LITE Quick start guide.



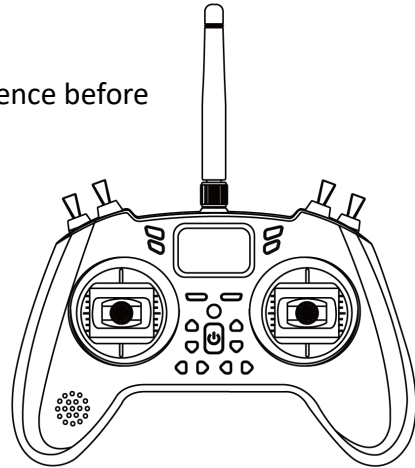
## Introduction.

Thank you for purchasing the Jumper T-LITE Multi-protocol Radio system. Jumper is proud to bring this ground-breaking product to the market and would like to thank customers just like you and the community for making this dream possible.

Please take a moment to read this quick start reference before using your new T-LITE radio.

Happy flying!

- The Jumper Development team.



## Safety & Precautions.

Many radio control models are equipped with powerful motors and sharp spinning propellers. Please exercise caution when working on models. Ensure power is disconnected from your models and remove propellers when performing maintenance.

Do not operate the T-LITE radio system under the following conditions.

- During bad weather or high wind conditions such as rain, hail, snow, storms or electromagnetic events.
- During any conditions of limited visibility.
- In areas where people, property, powerlines, roads, vehicles or animals may be present.
- If you are feeling tired or unwell or under the influence of drugs or alcohol.
- If the radio or model appear to be damaged or not functioning correctly.
- In areas of high 2.4GHz interference or in locations where use of 2.4GHz radios is prohibited.
- When the battery in the T-LITE or the model is too low to function.



## Manuals and firmware downloads.

The T-LITE is shipped with openTX software installed as standard. To download the latest Software manual please visit <http://www.open-tx.org/downloads>.

To download the latest firmware for your radio please visit the openTX website at the following link. <https://www.open-tx.org/downloads>.

## **CAUTION!**



The T-LITE is shipped with the most stable firmware at the time of manufacture. Please only update firmware if you are experienced and confident in updating system firmware. Incorrect updates may render the radio inoperable.